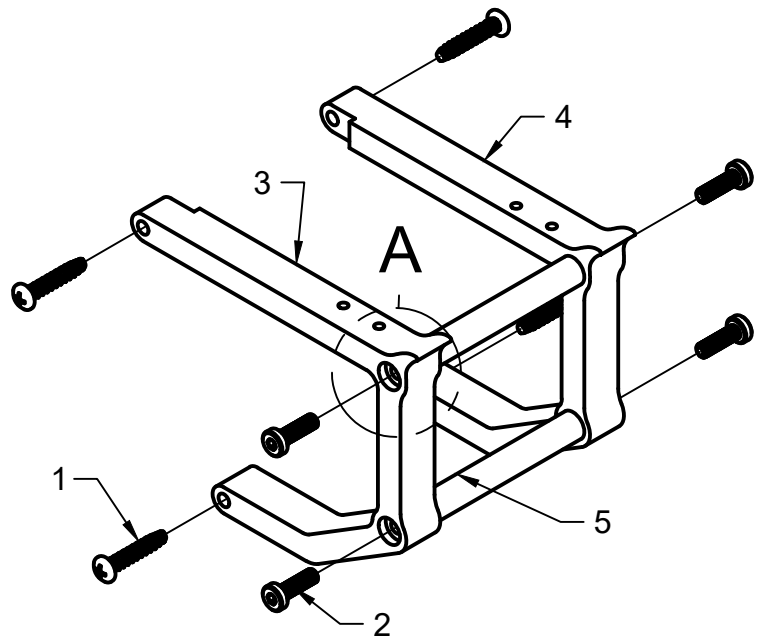
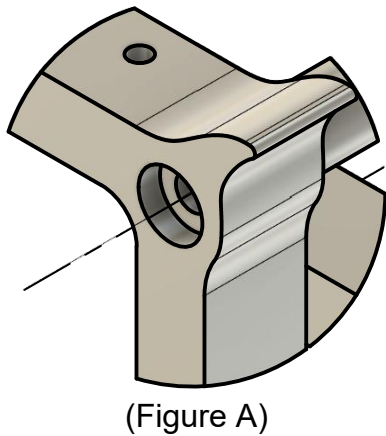
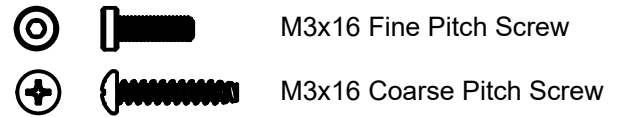




GLOBUSTER BUMPER ASSEMBLY INSTRUCTIONS

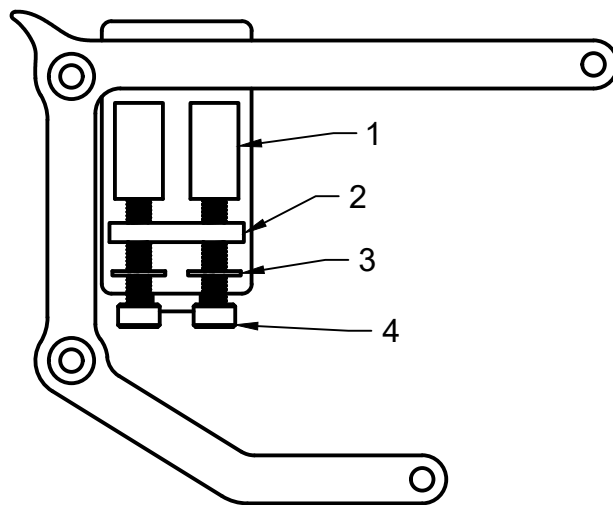
1. Refer to the diagram and parts list to ensure there are no missing parts from package.
2. Assemble the bumper. The OUTSIDE of the rail, is the side with the pocket that allows the fine pitch screws to sit flush into (see Figure A). Install the (4) fine pitch allen head screws (see Figure B) through the rails and into the center spacers. Center spacers are interchangeable. Do NOT overtighten.
3. Attach the assembled bumper to the gearhousing using the (4) Coarse pitch phillips head screws (see Figure B). Do NOT overtighten.



| Parts List | | |
|------------|----------|--------------------|
| Item | Quantity | Description |
| 1 | 4 | M3x16 Coarse Screw |
| 2 | 4 | M3x16 Fine Screw |
| 3 | 1 | Left Rail |
| 4 | 1 | Right Rail |
| 5 | 2 | Middle Spacers |

SERVO INSTALLATION

1. Refer to the diagram and parts list to ensure there are no missing parts from package.
2. Position the servo and spacers as shown in the diagram.
3. Attach servo to bumper using the M3x20mm screws and washers contained in hardware bag "B". Do not over torque.



| Parts List | | |
|-------------|-----|----------------------|
| Part Number | Qty | Description |
| 1 | 4 | 1/4x1/2 Spacer |
| 2 | 1 | Servo (Not Included) |
| 3 | 4 | 3mm Washer |
| 4 | 4 | M3x20mm Screw |

CAUTION: Small parts included can be a choking hazard to small children.
Keep away from small children and pets.